



T562

DVD / CD / MP3 Player

ENGLISH



Owner's Manual

WARNING: TO REDUCE THE RISK OF FIRE OR ELECTRIC SHOCK, DO NOT EXPOSE THIS PRODUCT TO RAIN OR MOISTURE

CAUTION

THIS DVD PLAYER EMPLOYS A LASER SYSTEM. TO ENSURE PROPER USE OF THIS PRODUCT, PLEASE READ THIS OWNER'S MANUAL CAREFULLY AND RETAIN FOR FUTURE REFERENCE. SHOULD THE UNIT REQUIRE MAINTENANCE, CONTACT AN AUTHORIZED SERVICE LOCATION.

USE OF CONTROLS, ADJUSTMENTS TO MODIFY PERFORMANCE OF PROCEDURES OTHER THAN THOSE SPECIFIED MAY RESULT IN HAZARDOUS RADIATION EXPOSURE.

TO PREVENT DIRECT EXPOSURE TO LASER BEAM, DO NOT TRY TO OPEN THE ENCLOSURE. VISIBLE LASER RADIATION EXISTS WHEN THE ENCLOSURE IS OPENED. DO NOT STARE INTO BEAM.

THE APPARATUS SHALL NOT BE EXPOSED TO DRIPPING OR SPLASHING AND THAT NO OBJECTS FILLED WITH LIQUIDS, SUCH AS VASES, SHALL BE PLACED ON THE APPARATUS.

WARNING: CHANGES OR MODIFICATIONS NOT EXPRESSLY APPROVED BY THE PARTY RESPONSIBLE FOR COMPLIANCE COULD VOID THE USER'S AUTHORITY TO OPERATE THE EQUIPMENT.

NOTE

T562 is not an auto voltage DVD player. Connect only to the prescribed AC outlet, i.e., 120V 60Hz or 230V 50Hz.

RECORD YOUR MODEL NUMBER (NOW, WHILE YOU CAN SEE IT)

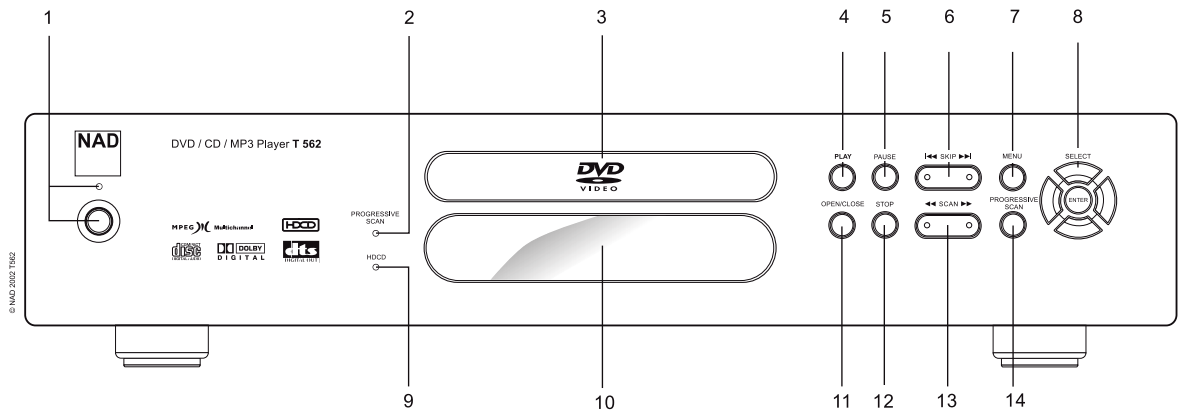
The model and serial number of your new DVD player are located on the back of the DVD player cabinet. For your future convenience, we suggest that you record these numbers here:

MODEL NO. _____
SERIAL NO. _____

INTRODUCTION	
Safety Precautions	2
IDENTIFICATION OF CONTROLS	
Front Panel/Display window	4
Rear Panels	5
Preparing The Remote Control	7
Remote Control	8
Operation Of The T562 With The Remote Control	9
OPERATION	
Operation of the T562	10
Special Playback	11-12
Screen Save	11
Automatic Power Off Function	11
Stopping Play	11
Resume Play	11
Still Picture	11
Frame Advance	11
Skipping chapters and tracks	11
Scanning at High Speed	12
Playing in Slow-Motion	12
OSD Operation	13
Display/Titles/Menus/Subtitles	13
Viewing From Another Angle	14
Repeat Play	14
Storing Markers in Memory	15
Zoom Feature	15
Random Play	16
Program Play	16
Playback Audio with CD, VCD, and DVD	17
Playback with MP3	17
SETUP	
Connecting to Surround Sound System	18-21
Dolby Digital Sound	18
Dolby Pro Logic Surround Sound	19
2-Channel Digital Stereo Sound	20
DTS Sound	21
Connecting to an Analogue Stereo System	22
Connecting to a TV Directly	23
Initial Setup Settings	24-26
Selecting Languages	24
Selecting Video Display Mode	25
Selecting Scan Type	25
Selecting Signal Mode	26
Selecting Gamma Settings	26
Selecting Audio	26
REFERENCE	
Notes on Discs	27
Playable Discs	28
Table of Languages and Their Abbreviations	29
Trouble Shooting	30
Specifications	31
Copyright Information/Macrovision Product Notice	32

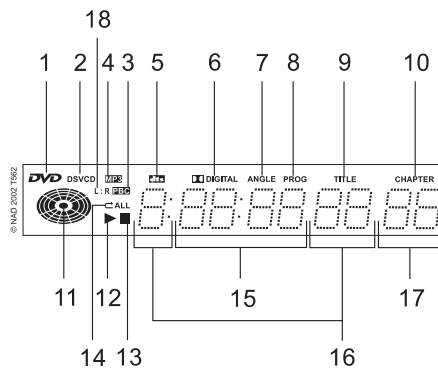
Identification of Controls

FRONT PANEL



- | | |
|---|-----------------------------|
| 1 Power button and on/standby/off indicator | 8 SELECT/navigation buttons |
| 2 PROGRESSIVE SCAN indicator | 9 HDCD indicator |
| 3 DVD tray | 10 Display window |
| 4 PLAY button | 11 OPEN/CLOSE button |
| 5 PAUSE buttons | 12 STOP button |
| 6 SKIP buttons | 13 SCAN buttons |
| 7 MENU button | 14 PROGRESSIVE SCAN button |

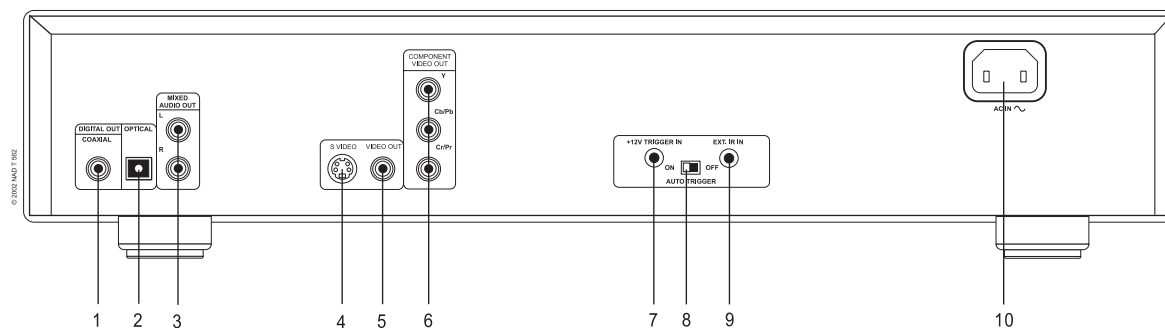
DISPLAY WINDOW



- | | |
|---------------------------|------------------------------------|
| 1 DVD indicator | 10 CHAPTER Indicator |
| 2 VCD indicator | 11 Operating status indicator |
| 3 PBC indicator for VCD | 12 Playback indicator |
| 4 MP3 indicator | 13 Pause indicator |
| 5 DTS indicator | 14 Repeat playback mode indicators |
| 6 DOLBY DIGITAL indicator | 15 Total playing time display |
| 7 ANGLE indicator | 16 Title/track number display |
| 8 PROG indicator | 17 Chapter number display |
| 9 TITLE Indicator | 18 L R indicator |

Identification of Controls

REAR PANEL (NORTH AMERICAN VERSION)



- | | | | |
|---|---|----|----------------------------|
| 1 | DIGITAL OUT COAX Jack | 6 | COMPONENT VIDEO OUT Jacks |
| 2 | DIGITAL OUT OPTICAL (With Dust Protection Cap) Jack | 7 | +12V TRIGGER IN Jack |
| 3 | MIXED AUDIO OUT (L & R) Jacks | 8 | AUTO TRIGGER ON-OFF Switch |
| 4 | S-VIDEO OUT Jack | 9 | EXT. IR IN Jack |
| 5 | VIDEO OUT Jack | 10 | Power cord socket |

NOTE

Remove the dust protection cap from the connector and connect the optical digital cable (not supplied) firmly so that the configurations of both the cable and the connector match. Keep the dust protection cap and always reattach the cap when not using the connector to protect against dust.

NOTE

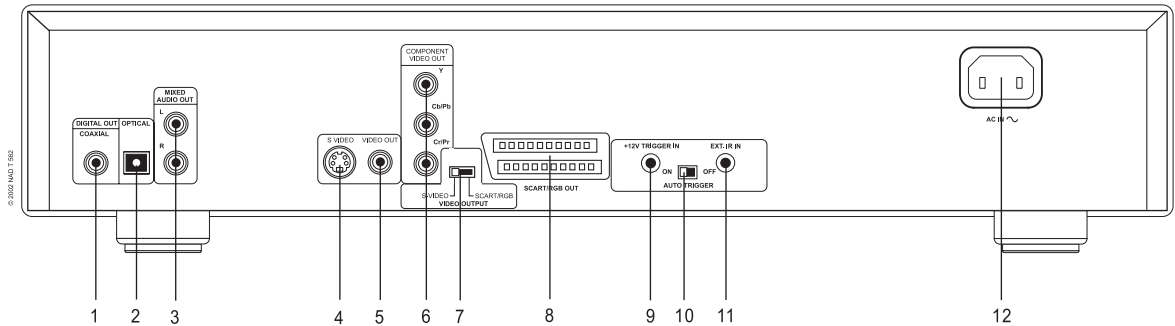
The 12V TRIGGER IN jack is a 3.5mm monotype miniature phone jack with the centre pin the 12V signal-sense. We recommend that you use a good quality cable with shield when attaching the 3.5mm monotype plug so as to prevent false triggering of the amplifier due to electro-magnetic interference from nearby electronic equipment. The 12V-IN TRIGGER allows you to have an external 12V signal to turn ON the NAD T562 from standby. This 12V signal must be a continuous 12V signal in order to keep the T562 in the ON state. Once you remove the 12V signal the T562 will return to standby. Check the specifications of the trigger input terminal on the other components to ensure these are compatible with the T562. All 12V-TRIGGER inputs and outputs on other NAD components with a 12V-TRIGGER feature are fully compatible with the NAD T562's 12V-TRIGGER IN. Before making any connections to any 12V-TRIGGER IN make sure all components are disconnected from the AC mains. If in doubt over the connections, installation and/or operation of the 12V-TRIGGER IN connection, consult your NAD dealer or sales representative. Failure to observe the above may result in damage to the NAD T562 and/or any ancillary components attached to it.

NOTE

The EXT. IR IN jack is connected to the output of an IR (infrared) repeater (Xantech or similar), or the IR output of another component to allow control of the T562 from a remote location. Ask your dealer or custom installer for further details

Identification of Controls

REAR PANEL (EUROPEAN VERSION)



- 1 DIGITAL OUT COAXIAL Jack
- 2 DIGITAL OUT OPTICAL (With Dust Protection Cap) Jack
- 3 MIXED AUDIO OUT (L & R) Jacks
- 4 S-VIDEO OUT Jack
- 5 Composite VIDEO OUT Jack
- 6 COMPONENT VIDEO OUT Jacks
- 7 VIDEO OUTPUT S-VIDEO-SCART/RGB Switch
- 8 SCART/RGB OUT Jack
- 9 12V TRIGGER IN jack
- 10 AUTO TRIGGER ON-OFF Switch
- 11 EXT. IR IN Jack
- 12 Power cord socket

NOTE

Remove the dust protection cap from the connector and connect the optical digital cable (not supplied) firmly so that the configurations of both the cable and the connector match. Keep the dust protection cap and always reattach the cap when not using the connector to protect against dust.

NOTE

The 12V TRIGGER IN jack is a 3.5mm monotype miniature phone jack with the centre pin the 12V signal-sense. We recommend that you use a good quality cable with shield when attaching the 3.5mm monotype plug so as to prevent false triggering of the amplifier due to electro-magnetic interference from nearby electronic equipment. The 12V-IN TRIGGER allows you to have an external 12V signal to turn ON the NAD T562 from standby. This 12V signal must be a continuous 12V signal in order to keep the T562 in the ON state. Once you remove the 12V signal the T562 will return to standby. Check the specifications of the trigger input terminal the other components to ensure these are compatible with the T562. All 12V-TRIGGER inputs and outputs on other NAD components with a 12V-TRIGGER feature are fully compatible with the NAD T562's 12V-TRIGGER IN. Before making any connections to any 12V-TRIGGER IN make sure all components are disconnected from the AC mains. If in doubt over the connections, installation and/or operation of the 12V-TRIGGER IN connection, consult your NAD dealer or sales representative. Failure to observe the above may result in damage to the NAD T562 and/or any ancillary components attached to it.

NOTE

The EXT. IR IN jack is connected to the output of an IR (infrared) repeater (Xantech or similar), or the IR output of another component to allow control of the T562 from a remote location. Ask your dealer or custom installer for further details

Insert the batteries into the remote control so you can use it to operate the T562.

- 1 Open the battery cover
- 2 Insert two batteries (AAA size)
- 3 Make sure to match the + and - on the batteries to the marks inside the battery compartment.
- 4 Close the cover

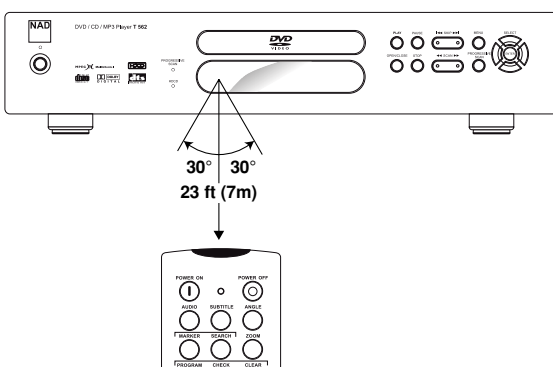
NOTES ON BATTERIES

Improper use of batteries may cause battery leakage and corrosion.

- *To operate the remote control correctly, follow the instructions.*
- *Do not insert the batteries into the remote control in the wrong direction.*
- *Do not charge, heat, open or short-circuit the batteries.*
- *Do not throw the batteries into fire.*
- *Do not leave dead or exhausted batteries in the remote control.*
- *Do not use different types of batteries together, or mix old and new batteries.*
- *If you do not use the remote control for a long period of time, remove the batteries to avoid possible damage from battery corrosion.*
- *If the remote control does not function correctly or if the operating range becomes reduced, replace all batteries with new ones.*
- *If battery leakage occurs, wipe the battery liquid from the battery compartment, then insert new batteries.*
- *The batteries should last about one year with normal use.*

OPERATION OF THE T562 WITH THE REMOTE CONTROL

This section shows you how to use the remote control. Point the remote control at the remote control sensor and press the buttons.



Distance: About 23 ft (7 m) from the front of the remote sensor

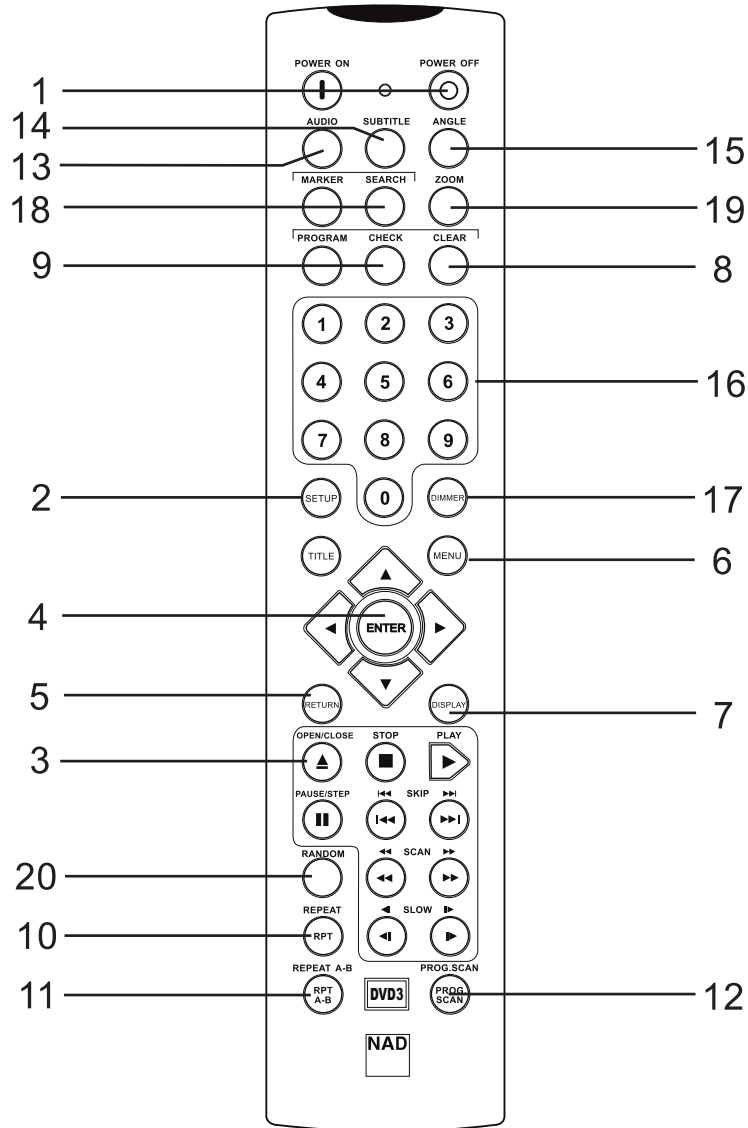
Angle: About 30 degrees in each direction of the front of the remote sensor

NOTES ON THE REMOTE CONTROL

- *Do not expose the remote sensor of the T562 to a strong light source such as direct sunlight or illumination. If you do so, you may not be able to operate the T562 with the remote control.*
- *Point the remote control at the remote sensor on the T562.*
- *Do not drop or give the remote control a shock.*
- *Do not leave the remote control near an extremely hot or humid place.*
- *Do not spill water or put anything wet on the remote control.*
- *Do not disassemble the remote control.*

Identification of Controls

REMOTE CONTROL



- | | | | |
|----|--|----|-------------------|
| 1 | POWER ON, POWER OFF | 11 | REPEAT A-B |
| 2 | SETUP | 12 | PROG.SCAN |
| 3 | Transport control keys OPEN/CLOSE, STOP, PAUSE, STEP, PLAY, SKIP, SCAN, SLOW | 13 | AUDIO |
| 4 | ENTER and navigation buttons | 14 | SUBTITLE |
| 5 | RETURN | 15 | ANGLE |
| 6 | TITLE, MENU | 16 | Numerical buttons |
| 7 | DISPLAY | 17 | DIMMER |
| 8 | CLEAR | 18 | MARKER, SEARCH |
| 9 | PROGRAM, CHECK | 19 | ZOOM |
| 10 | REPEAT | 20 | RANDOM |
| 11 | REPEAT A-B | | |
| | | | |

- 1 The power buttons labeled POWER ON and POWER OFF will toggle the T562 from standby to ON position, only if the power button on the left front of the T562 is in the ON (depressed) state.
- 2 The SETUP button is used in conjunction with the television monitor's On Screen Display (OSD) connected to the T562, (see the section on 'Initial Set-up Settings') to edit the DVD's drop-down-menu OSD.
- 3 There are ten transport control buttons that allows one to directly control the DVD/VCD/CD media. These buttons handle the basic operations of OPEN/CLOSE the media tray, STOP, PAUSE, STEP, PLAY, SKIP tracks, SCAN tracks, and SLOW scan tracks.
- 4 The navigation buttons ▲/▼/◀/▶ in conjunction with the ENTER button allows one to navigate the OSD, title and menu screens.
- 5 The RETURN button is used for backup navigation of various DVD and SETUP menus.
- 6 The TITLE and MENU buttons are used to display via OSD, the title headings and menus of the DVD and MP3 CD media when available.
- 7 The DISPLAY button will show an OSD for advanced DVD/VCD/CD player configuration, when the T562 is in play or pause mode.
- 8 The CLEAR button is used to clear OSD values and menus.
- 9 The PROGRAM, CHECK, buttons are used for programming the tracks on CD media.
- 10 The REPEAT button when pressed once, repeats an audio CD track or DVD chapter. If the button is pressed twice the entire audio CD is repeated or the DVD chapters are repeated.
- 11 The REPEAT A-B button is used to repeat a specific start to stop section of an audio CD or DVD/VCD. During play mode of the media, press the button once to store the start point of the T562 in memory. When pressed a second time the stop point of the media is stored. The T562 will play the selected section(s) until REPEAT A-B button is pressed.
- 12 The PROG.SCAN button will allow one to toggle from interlace-scan to progressive-scan video.
- 13 The AUDIO button will allow one to switch the audio language of the DVD media only if the DVD media supports the AUDIO button feature.
- 14 The SUBTITLE button will allow one to switch on or off the various types of subtitles for the DVD media being viewed, only if the DVD media supports the SUBTITLE button feature.
- 15 The ANGLE button will allow one to select various viewing angles of each movie scene only if the DVD media supports this feature.
- 16 The number buttons are used for inputting numeric values when navigating the menu, title, and display OSDs or when directly selecting media tracks.
- 17 The DIMMER button allows the user to conveniently dim the T562 font display. Each press of the DIMMER button will change the dimness one level for a total of 3 levels then to maximum brightness. The brightness will revert to 100% when power is cycled.
- 18 The MARKER and SEARCH buttons allows one to set up to 9 bookmarks on a DVD, VCD and CD for quick reference. After each marker is stored one then presses the SEARCH then navigation buttons to play the bookmark.
- 19 The ZOOM button allows one to expand the viewed image up to 32 times. To clear the zoom menu, press the CLEAR button.
- 20 The RANDOM button allows one to randomly play audio CD media. In conjunction with the REPEAT buttons the audio CD would randomly play all tracks on an audio CD. This feature is not available on most DVD/VCDs.

When you want to play back DVD videodiscs, turn on the TV and select the video input source connected to the DVD player.

When you want to enjoy the sound of DVD videodiscs or audio CDs from the audio system, turn on the audio system and select the input source connected to the DVD player.

Set the playback picture size according to the aspect ratio of the connected TV in the 'Setup' and 'Video' OSD menus.

Press POWER. The 562-power indicator turns red, then amber and finally green.

Press OPEN/CLOSE. The disc tray opens.

- You can open the disc tray by pressing this button even if the DVD player is in standby mode. The power indicator will turn from amber to green.

Place a disc on the disc tray with the playback side down.

- There are two different disc sizes. Place the disc in the correct guide on the disc tray. If the disc is out of the guide, it may damage the disc and cause the T562 to malfunction. Press PLAY. The disc tray is automatically closed and playback begins.
- If the disc is placed in upside down (and it is a single sided disc), "— — — " will appear on the T562's display and 'NO DISC' appears on the TV screen.
- If you insert an audio CD, the total tracks and time will appear.
- After playing back all of the chapters in the title, T562 automatically stops and returns to the menu screen.

Press the navigation keys then and press ENTER, or press the numeric button(s), to select the desired item. Play of the selected item now begins.

- For further information, also refer to the jacket or case of the disc you are playing.

AFTER OPERATION

When the unit is not in use, remove the disc and press the POWER OFF button on the remote to switch the T562 to standby. If the T562 is left unattended for any length of time such as during a vacation, then switch off the T562 by depressing the green power button found on the left front of the T562.

NOTES

- Do not move the DVD player during playback. Doing so may damage the disc and the T562.
- Use the OPEN/CLOSE button on the remote control or T562 to open and close the disc tray.
- Do not push the disc tray while it is moving. Doing so may cause the T562 to malfunction.
- Do not push up the disc tray or put any objects other than discs on the disc tray. Doing so may cause the T562 to malfunction.
- Keep your fingers well clear of the disc tray as it is closing. Be especially careful with children's fingers around the closing disc tray, as there is a risk of personal injury.
- Depending on the DVD disc, some operations may be different or restricted. Refer to the jacket or case of the disc you are playing.
- Do not switch the S-Video switch on the back of the T562 when the T562 is in the ON position. Doing so may result in poor picture quality.

SCREEN SAVE

The screen saver is useful to prevent your display from becoming damaged. The screen saver picture appears when you leave the T562 in pause or stop mode for about 8 minutes.

AUTOMATIC POWER OFF FUNCTION

The T562 can be powered to standby by the 12V-TRIGGER IN. Also, the T562 will automatically turn itself to standby mode after the Screen Saver has been engaged for about 8 minutes.

STOPPING PLAY

Press STOP during playback either on the remote or the T562.

RESUME PLAY

When play is stopped, the unit records the point where STOP was pressed and the TV OSD will display 'STOP-RESUME POSSIBLE'.

Press the PLAY button either on the remote or the T562 and play will resume from this point.

NOTE

Resume function will be cleared when the STOP is pressed twice. Resume function will be cleared when the power is turned off and then on. Opening the disc tray cancels Resume function. The Resume function may not be available on some DVD/VCD discs.

STILL PICTURE (PAUSE)

Press PAUSE during playback. For a DVD, the T562 will be placed in the still picture mode. For a CD the player will be placed in the pause mode.

FRAME ADVANCE (DVD ONLY)

Press PAUSE during still playback (each time you press PAUSE, the picture advances one frame). To resume normal playback, press PLAY

SKIPPING CHAPTERS AND TRACKS

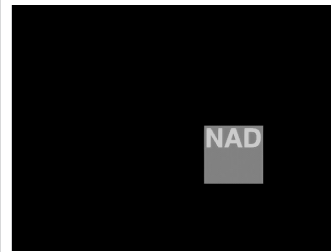
SKIPPING FORWARD

Press SKIP (or SKIP FORWARD icon) during playback

A chapter (DVD) or a track (CD) is skipped each time the button is pressed.

SKIPPING BACK

Press SKIP (or SKIP BACK icon) during playback. When the button is pressed once midway through a chapter/track, the player returns to the start of that chapter/track. When it is pressed again, a chapter/track is skipped each time the button is pressed.



You can play back discs at various speeds.

SCANNING AT HIGH SPEED

To scan at fast-forward or fast-reverse during playback, press the SCAN button during playback

CUSTOM DVD SCAN BACKWARD

Scan Skip=3

CUSTOM DVD SCAN FORWARD

Scan Skip=3

The speed of advance (reverse) is relatively slow at first. When the button is pressed again, the speed becomes faster. (Each time the button is pressed, the speed increases up to 3 steps for DVD/CD)
The speed will be retained even after the button is released.

To return to normal playback, press PLAY

NOTE

The DVD player does not play back sound during the high-speed reverse and forward playback of DVD videodiscs. However, the T562 player plays back sound during fast forward or fast reverse playback of audio CDs.

PLAYING IN SLOW-MOTION (DVD ONLY)

Press the SLOW buttons during playback. The playback speed becomes slower than the normal speed.

Backward slow at Speed -2

Backward slow at Speed -8

Forward slow at Speed 2

Forward slow at Speed 8

The speed of slow motion is fast at first. When the button is pressed again, the speed becomes slower. Each time the button is pressed, the speed decreases up to 8 times.
The speed will be retained even after the button is released.

To return to normal playback, press PLAY

NOTES

- *The sound is muted during slow-motion playback.*
- *Subtitles appear on the screen during slow motion playback.*
- *The SLOW button does not work with Audio CDs.*

DISPLAY/TITLES/MENUS/SUBTITLES

Examples of GUI (Graphical User Interface) MENU Icons
(The screens may differ depending on the disc contents.)

OPERATION USING MENU ICONS

Press DISPLAY during playback [TV screen] DVD GUI

To show the current title number, press the DISPLAY button, and navigate to the desired title number or type in the numeric number directly and press ENTER. To show the current chapter number and to jump to the desired chapter number, press DISPLAY and navigate to the Chapter menu and enter the desired numeric value. To show the current audio (Stereo, Left, Right) and to select to the desired audio channel, toggle through the audio selections by pressing the AUDIO button repeatedly.

- 1 Press AUDIO during playback. Each time this button is pressed, the TV screen displays changes.
- 2 Press AUDIO repeatedly until the desired sound is selected.

Some movie discs may contain two or more titles. If the disc has a title menu recorded on it, the TITLE button can be used to select the movie title. (The details of operation differ depending on the disc used.)

NOTE

Selecting a title may not be possible on certain DVD discs.

- 1 Press TITLE. A list of the titles on the disc is displayed. Press TITLE again to resume play from the scene when TITLE was first pressed.
- 2 Press ENTER, PLAY, or press the numeric button(s), to select desired title. The selected title now starts playing.

Some DVDs have unique menu structures called DVD menus. For example, DVDs programmed with complex contents provide guide menus, and those recorded with various languages provide menus for audio and subtitle language. Although the DVD menu's contents and operation differ from disc to disc, the following explains the basic operation when this feature is used.

- 1 Press MENU during play. The DVD menu available on the disc is now displayed. Pressing MENU again resumes play from the scene when MENU was first pressed.
 - Resume play may not be possible on certain discs.
- 2 Press ENTER, or press the numeric button(s), to select desired item. The selected item is now executed.

It is possible to change the subtitle language to a different language from the one selected at the initial settings. This operation works only with discs on which multiple subtitle languages are recorded.

- 1 Press SUBTITLE during playback. When no subtitles are recorded, 'OFF' will be displayed instead of the language number.
- 2 Press SUBTITLE repeatedly until the desired language is selected. Number of the subtitle language being played back is shown. To eliminate the On Screen Subtitles, press SUBTITLE repeatedly to select 'OFF' at step 2.

NOTES

- In some cases, the subtitle language is not changed to the selected one immediately.
- When a disc supporting the closed caption is played, the subtitle and the closed caption may overlap each other on the TV screen. In this case, turn the subtitle off.
- When the desired language is not selected even after pressing the button several times, it means that the language is not available on the disc.
- When the power is turned on or the disc is removed, subtitles appear in the language selected at the initial settings. If this language is not recorded on the disc, the disc's priority language appears.

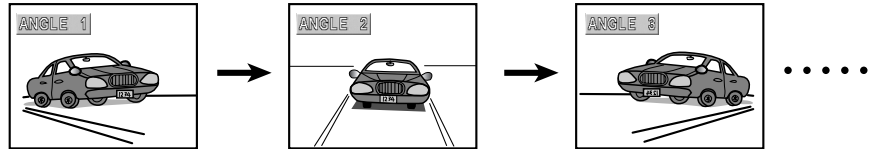


Operation

VIEWING FROM ANOTHER ANGLE

Some DVDs may contain scenes, which have been shot simultaneously from a number of different angles. For these discs, the same scene can be viewed from each of these different angles using the ANGLE button. (The recorded angles differ depending on the disc used.)

- 1 Press **ANGLE** during playback. Angle number will display being played back.
- 2 Press **ANGLE** repeatedly until the desired angle is selected.



FOR YOUR REFERENCE

The ANGLE Icon will blink in the DVD display window at scenes recorded at different angles to indicate that angle switching is possible. The angle number can be programmed beforehand; the angle will be switched to the selected number when the ANGLE indicator blinks.

NOTE

This function only works for discs having scenes recorded at different angles..

REPEAT PLAY

REPEAT CHAPTER
REPEAT TITLE
REPEAT OFF

REPEAT ALL
REPEAT TRACK
REPEAT OFF

REPEAT TRACK
REPEAT ALL
REPEAT OFF

REPEAT A-B
REPEAT A-B - SET B POINT

REPEAT OFF

Press REPEAT during playback. Each time this button is pressed, the TV screen changes as shown below and the disc will repeat a chapter or title (DVD) or a track (CD).

DVD

Repeat of chapter being played
Repeat of title being played
Cancel repeat mode (normal play)

CD

Repeat of entire disc contents
Repeat of track being played
Cancel repeat mode (normal play)

TO PROGRAM REPEAT PLAY (CD)

If REPEAT is pressed during program play, repeat play is operated as below.

Repeat of the current programmed track
Repeat of all programs
Cancel repeat mode by pressing the REPEAT button several times until REPEAT OFF is displayed

REPEATING SECTIONS BETWEEN TWO SPECIFIC POINTS (A-B REPEAT)

- 1 Press **A-B** during play at the point where repeat play is to start (**A**).
- 2 Press **A-B** during play at the point where repeat play is to be concluded (**B**). Repeat play of the selection between points A and B starts.

To return to normal play

Press A-B button once, 'REPEAT OFF' is displayed.

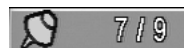
NOTES

- Repeat play works only with discs for which the elapsed playing time appears in the DVD display window during playback.
- Repeat play may not work correctly with some DVDs.
- A-B repeat play works only within a title DVD or a track CD.
- Some subtitles recorded around point A or B may fail to appear (DVD).
- Repeat and Play may not work with MP-3 encoded CD-R and CD-RW.

STORING MARKERS IN MEMORY

Storing a MARKER in the T562's memory is similar to marking your page in a book. It allows you to quickly return to any point on the disc.

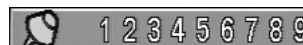
- 1 Press MARKER during play at the starting point to be viewed (listened to) again**
Indicates 1/9 is stored in the memory. Up to 9 markers can be stored in the memory.



RECALLING/CLEARING A MARKER

- 2 Press SEARCH during playback**

- 3 Use the navigation buttons to select the marker to be recalled/cleared.**



- 4 Press ENTER to recall a marker. Or press CLEAR to clear a marker.**

Play resumes from the point corresponding to the selected marker, or the selected marker is cleared.

NOTE

- These operations work only with discs for which the elapsed playing time appears in the DVD display window during playback or stop.
- Some subtitles recorded around the marker may fail to appear (DVD).
- All the markers are cleared when the power is turned off or the disc is removed.
- A marker is not stored when the DVD or title menu is displayed on the TV screen.

ZOOM FEATURE

The ZOOM feature allows you to zoom-in and enlarges the picture on the screen to 32 times its normal size.

- 1 Press ZOOM during normal playback or pause.**

Each press of the ZOOM button changes the TV screen. The magnification level will be displayed in the upper right corner of the zoom area.



- 2 To resume normal playback. Press ZOOM repeatedly until the normal picture is restored. The OSD will display 'Zoom Off'. Pressing CLEAR will also restore normal picture.**



NOTE

- Some discs may not respond to the Zoom feature.
- Zoom does not work on subtitles or menus included on DVD videodiscs.

Operation

RANDOM PLAY (CD)

- 1 Press **RANDOM** during normal playback or stop mode. The T562 automatically starts random playback and the PROG indicator will appear in the T562's display.
- 2 To resume normal playback, press **RANDOM**.

NOTE

- This function only works with audio CD discs. Random does not work with DVD movies. You can playback titles or tracks in random order. (Random playback)
- Random playback may not be possible on certain discs.
- If you press the **SKIP** button during random playback, the DVD player goes to another track randomly and starts playback.

PROGRAM PLAY (CD)

The player plays the tracks on the disc in the order you specify.

- 1 Press **PROGRAM** during stop mode. The program playback screen appears on the TV screen. To exit the screen, press **PLAY** or **PROGRAM**.
- 2 Press the numeric button(s) to select the desired track number. Press **ENTER** to store the track. Repeat step 2 to select another track. Up to 20 tracks can be programmed.
- 3 Press **PROGRAM** or **PLAY** to exit the screen. The selected track is stored in the memory and play now begins in the programmed sequence.
If you press **PROGRAM** to exit the screen, the selected tracks are memorized. If you press **PROGRAM** after clearing 'Resume Play' the selected programmed tracks are cleared.

NOTE

After playback of all programmed tracks, play is stopped.

Program play function is possible only with audio CDs. It does not work with DVD movie discs

CLEARING THE PROGRAM

To clear the programmed tracks one by one

Press navigation buttons to select the unwanted number and then press **CLEAR**.

Press **PROGRAM** to exit the screen (The programs are also cleared when the power is turned off or the disc removed.)

PLAYBACK AUDIO WITH CD, VCD, AND DVD

CD

- 1 Press AUDIO during play.
- 2 Press AUDIO repeatedly until the desired sound is selected.

VCD

- 1 Press AUDIO during play.
- 2 Press AUDIO repeatedly until the desired sound is selected.

DVD

- 1 Press AUDIO during play. Number of the audio soundtrack language being played back.
- 2 Press AUDIO repeatedly until the desired language (or encoding method, channel number) is selected.

NOTES

- When the desired language is not selected even after pressing the button several times, it means that the language is not available on the disc.
- When the power is turned on or the disc is removed, the language heard is the one selected at the initial settings. If this language is not recorded on the disc, only the available language on the disc will be heard.
- Some discs may not respond to Audio feature.



ENGLISH

PLAYBACK WITH MP3

- 1 Load an MP3 disc. The MP3 directory menu will be displayed.
- 2 Press navigation buttons to select the directory where MP3 files that you want to play are located and then press ENTER.
- 3 Press the navigation buttons to select the desired MP3 file of the selected directory of your disc. If you want to return to the previous menu, press the navigation buttons in conjunction with the ENTER button.
- 4 Press ENTER or PLAY to start playback of the file.

FOR YOUR REFERENCE

Press navigation buttons to skip to the next file or previous file during playback.

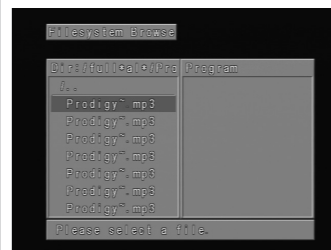
TO PLAY AN MP3 FILE REPEATEDLY

Press the REPEAT or REPEAT A-B buttons on the remote.

TO PROGRAM MP3 FILES IN A SEQUENCE

Press the PROGRAM button and the MP3 menu will open the program menu to the right of the main menu. Then select the files from any directory using the navigation buttons in conjunction with the ENTER button. One can store up to 20 files in the program sequence.

The REPEAT and REPEAT A-B function as 'TO PLAY AN MP3 FILE REPEATEDLY'.



Setup

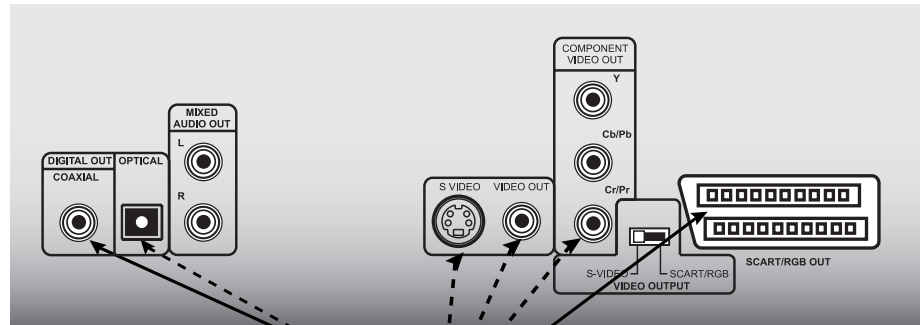
CONNECTING TO A SURROUND SOUND SYSTEM

DOLBY DIGITAL SOUND

One can enjoy the high quality dynamic sound of Dolby Digital, Dolby Pro Logic and 2 Channel Digital Stereo.

ABOUT DOLBY DIGITAL SOUND

Dolby Digital is the surround sound technology used in theatres showing the latest movies, and is now available to reproduce this realistic effect in the home. You can enjoy motion picture and live concert DVD videodiscs by connecting the T562 to a 5.1 channel AV receiver equipped with a Dolby Digital decoder (AC-3) or Dolby Digital processor.



From DIGITAL OUT jack
(COAXIAL or OPTICAL)

75 ohm coaxial cable or
optical cable

From S-VIDEO / Component Video /
Composite or SCART

S-VIDEO / Component / Composite
75-Ohm coaxial or SCART cable

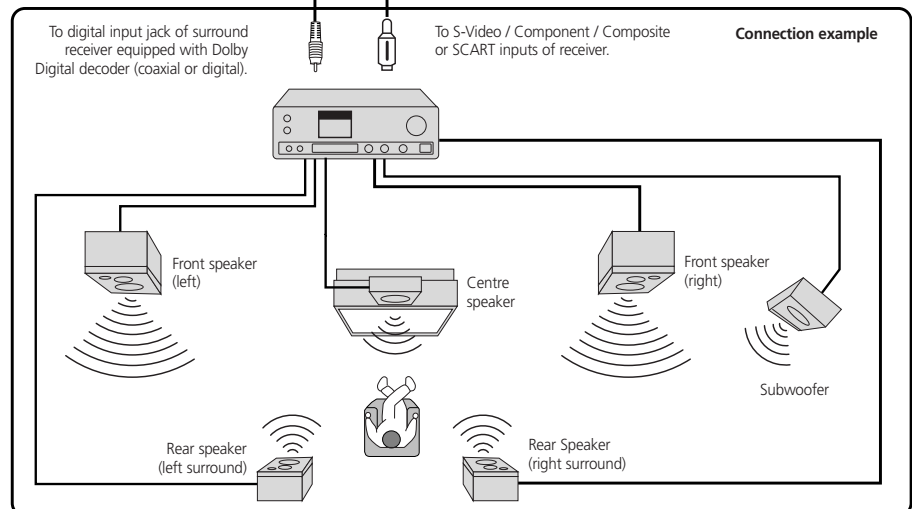
To digital input jack of surround
receiver equipped with Dolby
Digital decoder (coaxial or digital).

To S-Video / Component / Composite
or SCART inputs of receiver.

Connection example

To enjoy Dolby Digital sound from this DVD player you need the following:

- DVD recorded in Dolby Digital surround format.
- 5.1-channel receiver equipped with a Dolby Digital decoder, or a Dolby Digital processor and power amplifier.
- 5 speakers and 1 sub woofer



TO ENJOY DOLBY DIGITAL SOUND

You need to select from the OSD drop down menu, Audio, Analogue Off, and Auto, 96K or 48K. If uncertain, select Auto from the Analogue Off menu. Do not set the Digital Audio Output of this DVD player to Analogue Off unless you are connecting the DIGITAL OUT jack of the DVD player to an AV decoder that has the Dolby Digital decoding function. High volume sound may damage your hearing as well as the speakers (Refer to Initial Setup Settings, Audio).

NOTE

Refer to the owner's manual of your audio equipment as well. Depending on your Dolby Digital surround sound decoder, the decode rate may be 96 or 48K. When you connect the T562 to other equipment, be sure to turn off the power and unplug all of the equipment from the wall outlet before making any connections. The output sound of the T562 has a wide dynamic range. Be sure to adjust the receiver's volume to a moderate listening level. Otherwise, the speakers may be damaged by a sudden high volume sound. Turn off the receiver before you connect or disconnect the T562's power cord. If you leave the receiver power on, the speakers may be damaged.

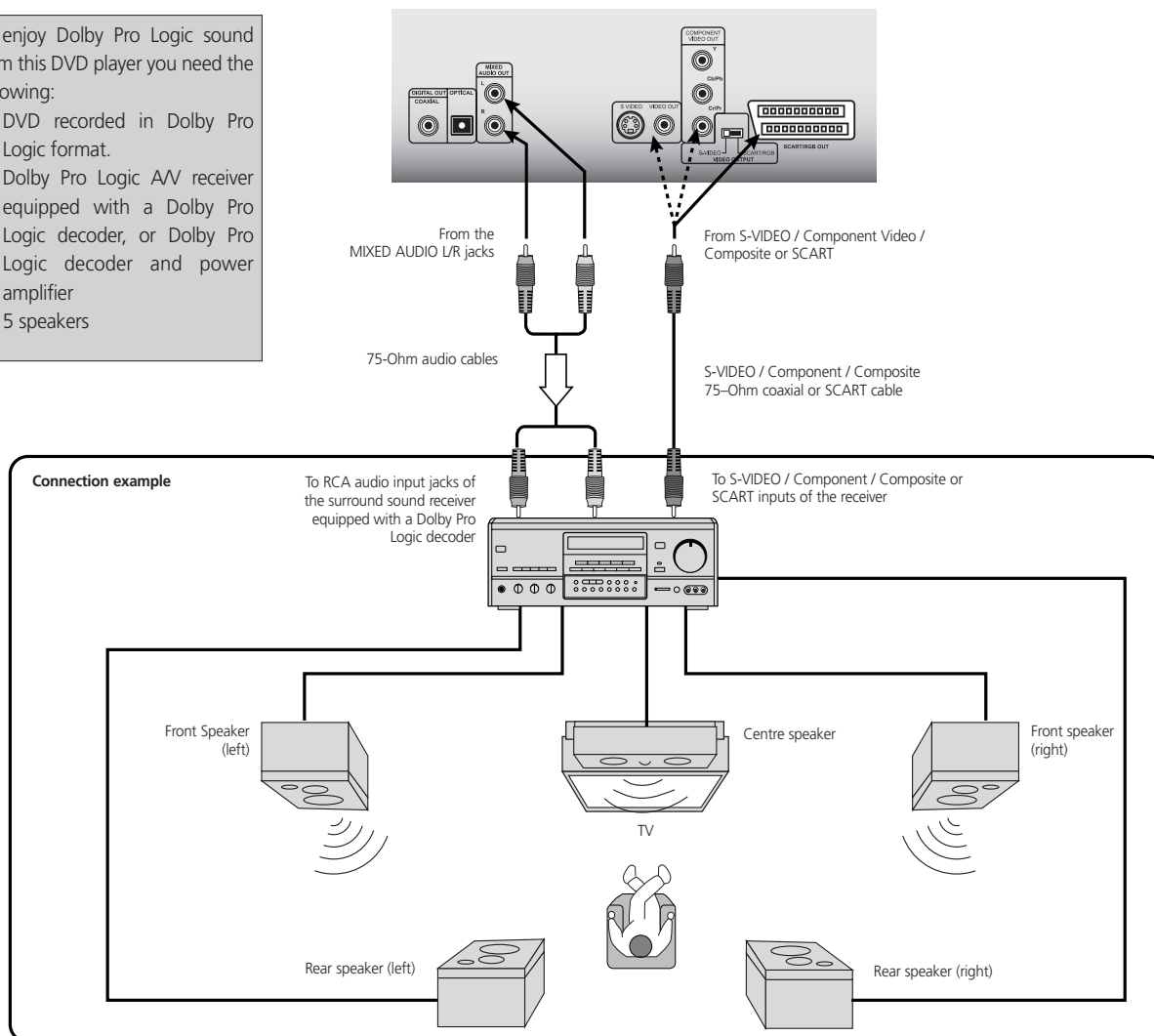
CONNECTING TO A SURROUND SOUND SYSTEM

DOLBY PRO LOGIC SURROUND SOUND

One can enjoy the high quality sound of Dolby Pro Logic Surround Sound if your AV receiver is equipped with a Dolby Pro Logic Surround Sound processor or decoder.

To enjoy Dolby Pro Logic sound from this DVD player you need the following:

- DVD recorded in Dolby Pro Logic format.
- Dolby Pro Logic AV receiver equipped with a Dolby Pro Logic decoder, or Dolby Pro Logic decoder and power amplifier
- 5 speakers

**WITH A RECEIVER EQUIPPED WITH A DOLBY DIGITAL DECODER**

Connect the equipment the same way as described in Enjoying Dolby Digital Sound. Refer to that AV receiver's owner's manual and set the receiver so you can enjoy Dolby Pro Logic Surround sound.

WARNING

Do not set the Digital Audio Output of this DVD player to 'Analogue Off' unless you are connecting the DIGITAL OUT jack of this DVD player to an AV decoder that has the Dolby Digital decoding function. High volume sound may damage your hearing as well as the speakers. (Refer to Initial Setup Settings, Audio)

NOTE

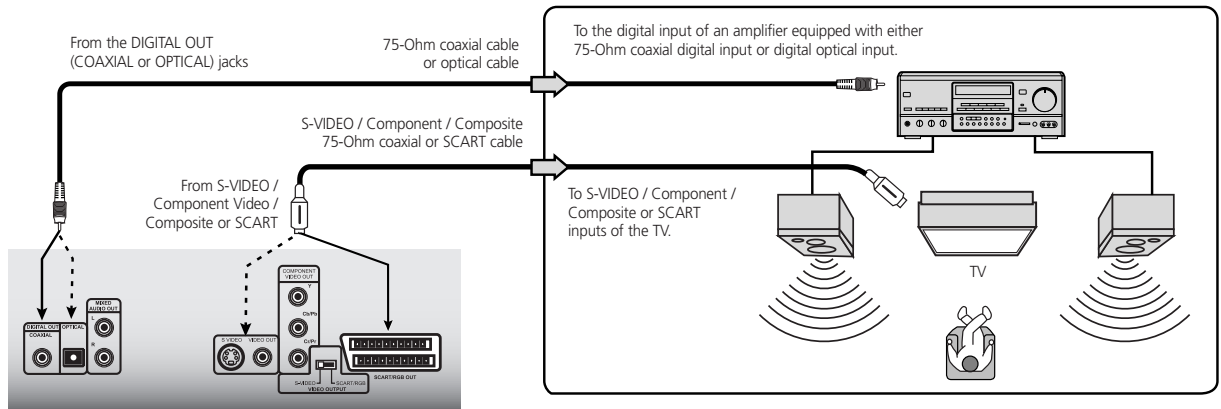
Refer to the owner's manual of your audio equipment as well. Depending on your Dolby Digital surround sound decoder, the decode rate may be 96 or 48K. When you connect the T562 to other equipment, be sure to turn off the power and unplug all of the equipment from the wall outlet before making any connections. The output sound of the T562 has a wide dynamic range. Be sure to adjust the receiver's volume to a moderate listening level. Otherwise, the speakers may be damaged by a sudden high volume sound. Turn off the receiver before you connect or disconnect the T562's power cord. If you leave the receiver power on, the speakers may be damaged.

Setup

CONNECTING TO A SURROUND SOUND SYSTEM

2 CHANNEL DIGITAL STEREO SOUND

You can enjoy the dynamic sound of 2 Channel Digital Stereo by connecting this DVD player to a receiver equipped with a digital audio input and speaker system (right and left front speakers).



TO ENJOY DIGITAL SOUND

You need to select from the OSD drop down menu, Audio, Analogue Off, and Auto, 96K or 48K. If uncertain, select Auto from the Analogue Off menu. (Refer to Initial Setup Settings, Audio)

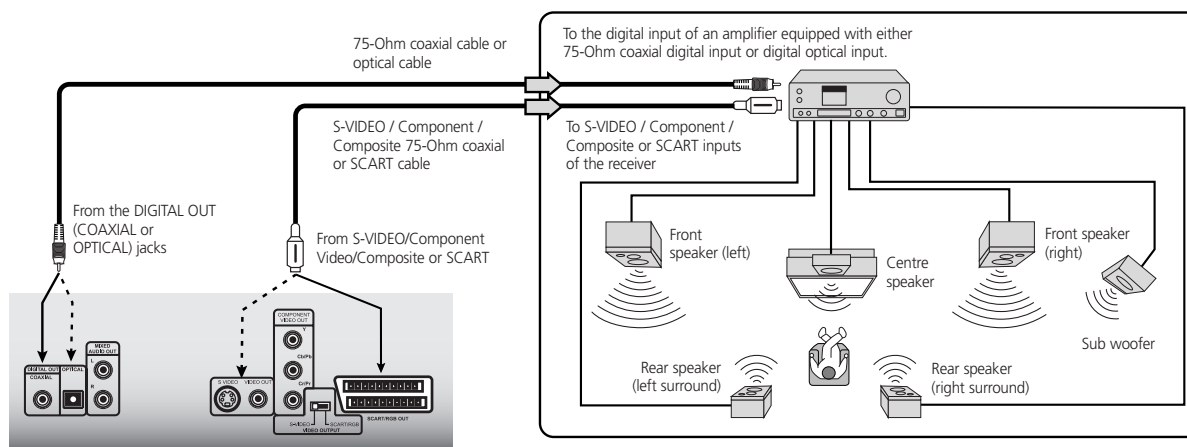
NOTES

- Switch the power off on the T562 before switching the SCART/VIDEO switch position.
- Refer to the owner's manual of your receiver as well.
- Before you connect the T562 to other equipment, be sure to turn off the power and unplug all of the equipment from the wall outlet before making any connections.
- Depending on your Digital sound decoder, the decode rate may be 96 or 48K.
- The output sound of the T562 has a wide dynamic range. Be sure to adjust the receiver's volume to a moderate listening level. Otherwise, the speakers may be damaged by a sudden high volume sound.
- Turn off the receiver before you connect or disconnect the T562's power cord. If you leave the receiver power on, the speakers may be damaged.

CONNECTING TO A SURROUND SOUND SYSTEM

DTS SOUND

In order to enjoy DTS sound your AV Receiver or processor must be equipped with a DTS Decoder. The digital output of the T562 must be set to Analogue Off and the disc must have a DTS soundtrack. There is no analogue output of the T562 for DTS soundtrack.

**TO ENJOY DTS SOUND**

You need to select from the OSD drop down menu of the T562, Audio, Analogue Off, and Auto, 96K or 48K. If uncertain, select Auto from the Analogue Off menu.

WARNING

Do not set the Digital Audio Output of this DVD player to Analogue Off unless you are connecting the DIGITAL OUT jack of this DVD player to an AV decoder that has the Dolby Digital decoding function. High volume sound may damage your hearing as well as the speakers (Refer to Selecting Digital Audio Output. (Refer to Initial Setup Settings, Audio)

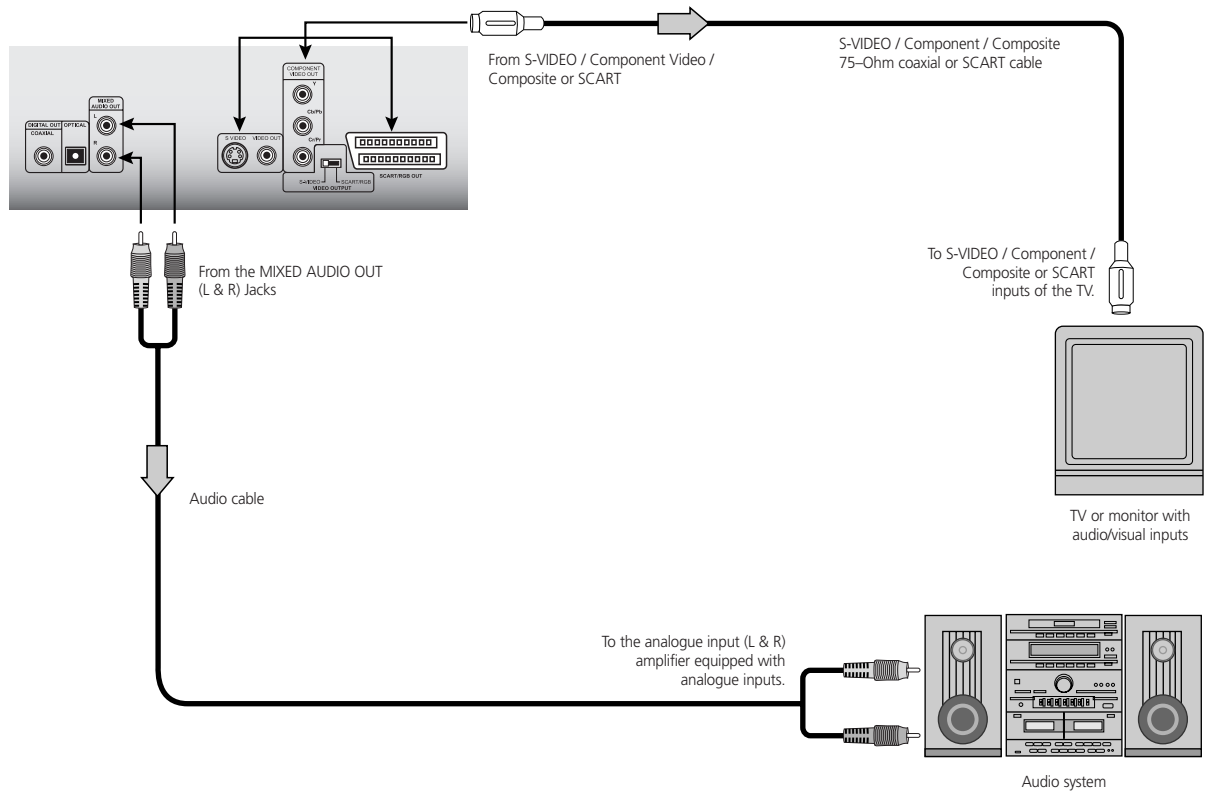
NOTES

- Switch the power off on the T562 before switching the SCART/S-VIDEO switch position.
- Refer to the owner's manual of your receiver as well.
- Before you connect the T562 to other equipment, be sure to turn off the power and unplug all of the equipment from the wall outlet before making any connections.
- Depending on your Digital sound decoder, the decode rate may be 96 or 48K.
- The output sound of the T562 has a wide dynamic range. Be sure to adjust the receiver's volume to a moderate listening level. Otherwise, the speakers may be damaged by a sudden high volume sound.
- Turn off the receiver before you connect or disconnect the T562's power cord. If you leave the receiver power on, the speakers may be damaged.

Setup

CONNECTING TO AN ANALOGUE STEREO SYSTEM

Good quality sound of 2-Channel Stereo system can be achieved by connecting this DVD player to a receiver equipped with a two analogue audio inputs (right and left) and speaker system (right and left front speakers).

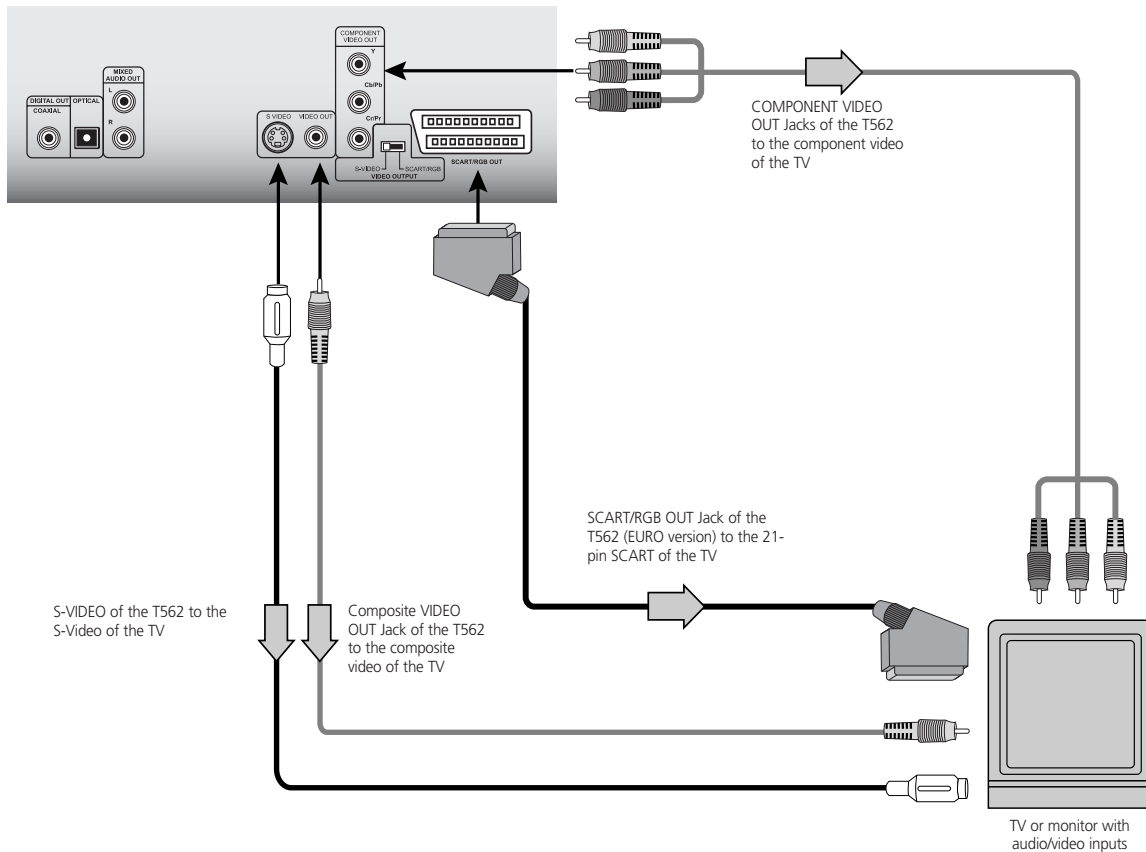


TO ENJOY GOOD QUALITY SOUND

You need to select from the OSD drop down menu, Audio, Analogue On, and 48K.

NOTES

- Switch the power off on the T562 before switching the SCART/S-VIDEO switch position.
- Refer to the owner's manual of your receiver as well.
- Before you connect the T562 to other equipment, be sure to turn off the power and unplug all of the equipment from the wall outlet before making any connections.
- Depending on your Digital sound decoder, the decode rate may be 96 or 48K.
- The output sound of the T562 has a wide dynamic range. Be sure to adjust the receiver's volume to a moderate listening level. Otherwise, the speakers may be damaged by a sudden high volume sound.
- Turn off the receiver before you connect or disconnect the T562's power cord. If you leave the receiver power on, the speakers may be damaged.

**NOTE**

The switch labeled VIDEO OUTPUT S-VIDEO-SCART/RGB is used to select between one of two outputs, the S-VIDEO and the 21-pin SCART/RGB. If one intends to connect to the S-VIDEO then slide the switch to S-VIDEO; if to the 21-pin SCART/RGB, then slide the switch to the SCART/RGB position.

A 75-Ohm video and audio cables are supplied with the T562. SCART and S-Video cables can be purchased from your local NAD retailer.

WARNING

Do not set the Digital Audio Output of this DVD player to Analogue Off unless you are connecting the DIGITAL OUT jack of this DVD player to a TV that is equipped with an AV decoder that has the Dolby Digital decoding function. High volume sound may damage your hearing as well as the speakers. (Refer to Initial Setup Settings, Audio)

NOTES

- Switch the power off on the T562 before switching the SCART/S-VIDEO switch position.
- Refer to the owner's manual of your receiver as well.
- Before you connect the T562 to other equipment, be sure to turn off the power and unplug all of the equipment from the wall outlet before making any connections.
- Depending on your Digital sound decoder, the decode rate may be 96 or 48K.
- The output sound of the T562 has a wide dynamic range. Be sure to adjust the receiver's volume to a moderate listening level. Otherwise, the speakers may be damaged by a sudden high volume sound.
- Turn off the receiver before connect or disconnect the T562's power cord. If you leave the receiver power on, the speakers may be damaged.

Setup

INITIAL SETUP SETTINGS



The player can always be operated under the same conditions (especially with DVD discs), once the initial settings have been completed. The settings will be retained in the memory until they are changed, even if the power is switched off.

- 1 Press SETUP in the stop or playback mode. The 'Setup', 'Video' and 'Audio' menus are displayed.
- 2 Press the navigation keys to select the desired setting and press ENTER. Some items require additional steps. When the RETURN or SETUP key is pressed the screen returns to the Initial Settings display.
- 3 To exit SETUP menu press RETURN, SETUP, PLAY, or OPEN/CLOSE buttons.

SELECTING LANGUAGES

To select language for DVD audio, DVD menus and OSDs on the TV. Do the following.

- 1 From the drop-down menu of the OSD, press ENTER to select the Settings menu. A drop-down menu for 'OSD', 'Audio', 'Subtitle', 'Menu', and 'Text' will display.
- 2 Use the navigation keys to select the desired Language and then press the ENTER button on the remote to store the selection.



NOTE

The Audio, Subtitle, Menu, and Text OSD are media specific. Not all media support the various language options. Refer to the specific media documentation for available features. Refer to the section 'REFERENCE', 'Table of Languages and Their Abbreviations' for available languages and their codes.

SELECTING VIDEO DISPLAY MODE

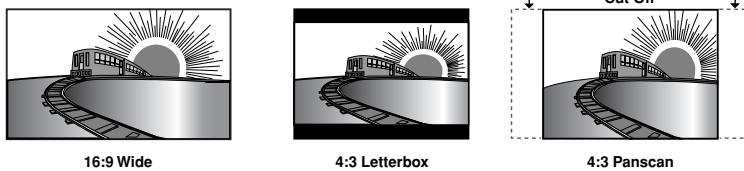
To select the appropriate screen type according to your TV set, one selects the SETUP menu form the remote. Chose 'Video', 'Display Mode', then the three choices that best fit your TV set.

- 1 From the drop-down menu of the OSD screen, use the navigation arrows to select 'Video' and press ENTER on the remote.
- 2 Use the navigation keys to select the desired 'Display Mode' and press ENTER on the remote

'Widescreen 16:9': Select when a wide-screen TV set is connected. Played in FULL size. (Setting the wide-screen TV to FULL mode is also necessary)

'Letterbox 4:3': The video material not formatted in the Pan & Scan style is played back in the letterbox style (black bands appear at top and bottom of screen).

'Pan Scan 4:3': Select when a conventional TV set is connected. The video material formatted in the Pan & Scan style is played back in that style (the left and right edges are cut off).



16:9 Wide

4:3 Letterbox

4:3 Panscan

NOTES

- Each screen shows an example when the video material for a widescreen is played. (This setting does not affect the video material for conventional size.)
- Progressive scan is available in NTSC with Component output only. Progressive scan is not available for PAL-Component or PAL-SCART output.

SELECTING SCAN TYPE

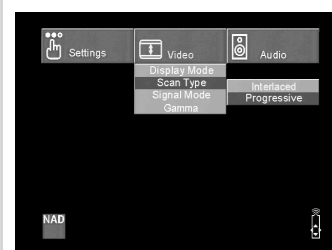
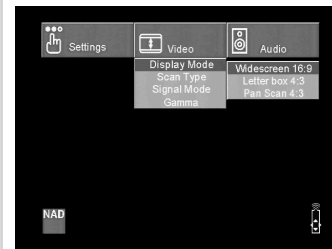
To select the appropriate screen type according to your TV set, one selects the 'Setup' menu form the remote. Chose 'Video', 'Scan Type', then the two choices that are available.

- 1 From the drop-down menu of the OSD screen, use the navigation arrows to select 'Video' and press ENTER on the remote.
- 2 Using the navigation keys, toggle between the two scan modes 'Interlaced' or 'Progressive Scan' and press ENTER on the remote

There are two modes for scanning depending on your TV set, one is Progressive scan, the other interlaced scan. Select the scan type that best suites your TV set.

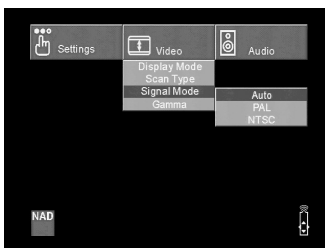
NOTE

Progressive scan is available in NTSC with Component output only. Progressive scan is not available for PAL-Component or PAL-SCART output.



Setup

INITIAL SETUP SETTINGS



SELECTING SIGNAL MODE

To select the appropriate screen type according to your TV set, one selects the SETUP menu from the remote. Chose 'Video', 'Signal Mode', then the three choices that best fit your TV set.

- 1 From the drop-down menu of the OSD screen, use the navigation arrows to select 'Video' and press ENTER on the remote.
- 2 Use the navigation keys to select the 'Signal Mode' and press ENTER on the remote
- 3 Three options will present itself, 'Auto', 'PAL' and, 'NTSC'

OPTIONS

The 'Auto' setting will detect automatically the media being played and display it. The other two settings 'NTSC' and 'PAL' can be selected to force the output of the T562 to the desired format. For example one can load a PAL media and display it in the NTSC format. Similarly one can load an NTSC media and display it in the PAL format.

Depending on the type of TV set you own, select the signal mode you wish to watch the DVD/VCD. The default or Auto setting is PAL for European T562 and NTSC for North American T562.

NOTE

Progressive scan is available in NTSC with Component output only. Progressive scan is not available for PAL-Component or PAL-SCART output.

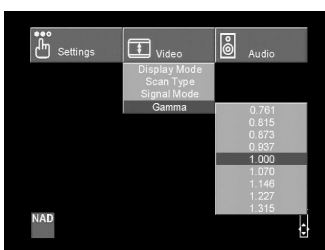
SELECTING GAMMA SETTINGS

To select the appropriate screen type according to your TV set, one selects the Setup menu from the remote. Chose 'Video', 'Gamma', then the two choices that are available.

- 1 From the drop-down menu of the OSD screen, use the navigation keys to select 'Video' and press ENTER on the remote
- 2 Using the navigation arrows, select 'Gamma' and press ENTER
- 3 Using the navigation arrows, select the colour/intensity linearity for your TV/monitor and press ENTER. The default setting is 1.000

NOTE

Each monitor or display device has a GAMMA setting. Please refer to your owner's manual for your TV/monitor for the optimum GAMMA setting. If you do not know your setting, use the default of 1.000.



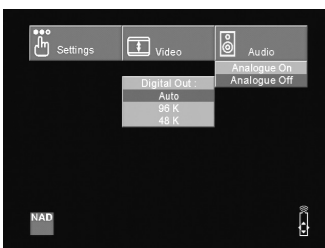
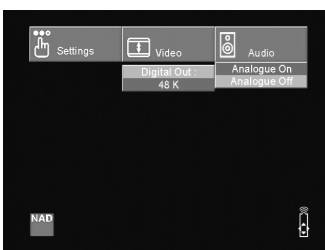
SELECTING AUDIO

Each DVD disc has a variety of audio output options. Set the player's digital audio output according to the type of audio system you use.

- 1 From the drop-down menu of the OSD screen, press the navigation keys to select 'Audio' and press ENTER on the remote.
- 2 Using the navigation keys to select the desired output press ENTER on the remote to store your selection.

'Analogue On'
Digital Out = 48 K

'Analogue Off'
'Digital Out' = 'Auto'
'Digital Out' = '48 K'
'Digital Out' = '96 K'



NOTES

If an active digital audio output signal is supplied to a receiver or other equipment without a corresponding digital decoding capability, a very loud noise may be produced which could permanently damage the speakers.

The DTS DVD disc sound is played back only when the DVD player is connected to a receiver with a DTS decoder.

This section shows you how to handle, clean and store discs.

ON HANDLING DISCS

- Do not touch the playback side of the disc.
- Do not attach paper or tape to discs. To do so may cause the discs to jam inside the machine

ON CLEANING DISCS

- Fingerprints and dust on the disc cause picture and sound deterioration. Wipe the disc from the centre outward with a soft cloth. Always keep the disc clean.
- If you cannot wipe off the dust with a soft cloth, wipe the disc lightly with a slightly moistened soft cloth and finish with a dry cloth wiping from the centre outward, not in a spiral rotation.
- Do not use any type of solvents such as thinner, benzene, commercially available cleaners or anti-static spray for vinyl LPs. They may damage the disc.
- The T562's OSD may display "ERROR: DISC MINOR - CLEAN ME". If it does, clean the disc as mentioned above.

ON STORING DISCS

- Do not store discs in a place subject to direct sunlight or near heat sources.
- Do not store discs in places subject to moisture and dust such as a bathroom or near a humidifier.
- Store discs vertically in a case. Stacking or placing objects on discs outside of their case may cause warping.

ABOUT THIS OWNER'S MANUAL

This owner's manual explains the basic instructions of this T562. Some DVD/VCD/CD media have functions that may not be explained in this owner's manual. Therefore, some instructions may differ from the T562 owner's manual, and there may be extra instructions. In this case, follow the instructions displayed on the media package or displayed on the OSD during operation. The following responses means the function explained in this owner's manual is not available on that specific media being played.

Not Allowed

NOT VALID WITH THIS MEDIA

ERROR: OPERATION PROHIBITED BY DISC



NOTE

Refer to the owner's manual of your audio equipment as well. When you connect the T562 to other equipment, be sure to turn off the power and unplug all of the equipment from the wall outlet before making any connections. The output sound of the T562 has a wide dynamic range. Be sure to adjust the receiver's volume to a moderate listening level. Otherwise, the speakers may be damaged by a sudden high volume sound. Turn off the receiver before you connect or disconnect the T562's power cord. If you leave the receiver power on, the speakers may be damaged.

Reference

PLAYABLE DISCS

The T562 can play back the following discs.

	Disc Mark	Contents	Disc size	Maximum playback time
DVD video discs		Audio+ Video (moving pictures)	12 cm	Approx. 4 hours (single sided disc)
				Approx. 8 hours (double sided disc)
			8 cm	Approx. 80 minutes (single sided disc)
				Approx. 160 minutes (double sided disc)
Audio CDs		Audio	12 cm	74 minutes
			8 cm	20 minutes

In addition this unit can play back a CD-R or CD-RW that contains audio titles or MP3 files

You cannot playback discs other than those listed above such as Video CD CD-ROM, CD-Extra, CD-G, photo CD, and CD-i discs. To do so may render the T562 permanently inoperable.

REGION MANAGEMENT INFORMATION

Region Management Information: This DVD Player is designed and manufactured to respond to the Region Management Information that is recorded on a DVD disc. If the Region number described on the DVD disc does not correspond to the Region number of this DVD player, this DVD player cannot play that disc. Please contact your dealer for the region number for your T562.

NOTES ON UNAUTHORIZED DISCS

You may not be able to play back some DVD videodiscs on this player if they were purchased from outside your geographic area or made for business purposes. When you try to play back an unauthorized disc, “**Check Regional Code**” appears on the TV screen.

TABLE OF LANGUAGES AND THEIR ABBREVIATIONS

Enter the appropriate code number in the Settings' drop-down-menu, 'Other' for "Audio", "Subtitle", "Menu" and/or "Text". Be aware that this is a media specific feature that may not be available for all DVDs and VCDs.

Code	Language	Code	Language	Code	Language	Code	Language
6565	Afar	7079	Faroese	7678	Lingala	8375	Slovak
6566	Abkhazian	7082	French	7679	Laothian	8376	Slovenian
6570	Afrikaans	7089	Frisian	7684	Lithuanian	8377	Samoan
6577	Ameharic	7165	Irish	7686	Latvian, Lettish	8378	Shona
6582	Arabic	7168	Scots Gaelic	7771	Malagasy	8379	Somali
6583	Assamese	7176	Galician	7773	Maori	8381	Albanian
6588	Aymara	7178	Guarani	7775	Macedonian	8382	Serbian
6590	Azerbaijani	7185	Gujarati	7776	Malayalam	8385	Sudanese
6665	Bashkir	7265	Hausa	7778	Mongolian	8386	Swedish
6669	Byelorussian	7273	Hindi	7779	Moldavian	8387	Swahili
6671	Bulgarian	7282	Croatian	7782	Marathi	8465	Tamil
6672	Bihari	7285	Hungarian	7783	Malay	8469	Telugu
6678	Bengali; Bangla	7289	Armenian	7784	Maltese	8471	Tajik
6679	Tibetan	7365	Interlingua	7789	Burmese	8472	Thai
6682	Breton	7378	Indonesian	7865	Nauru	8473	Tigrinya
6765	Catalan	7383	Icelandic	7869	Nepali	8475	Turkmen
6779	Corsican	7384	Italian	7876	Dutch	8476	Tagalog
6783	Czech	7387	Hebrew	7879	Norwegian	8479	Tonga
6789	Welsh	7465	Japanese	7982	Oriya	8482	Turkish
6865	Danish	7473	Yiddish	8065	Panjabi	8484	Tatar
6869	German	7487	Javanese	8076	Polish	8487	Twi
6890	Bhutani	7565	Georgian	8083	Pashto, Pushto	8575	Ukrainian
6976	Greek	7575	Kazakh	8084	Portuguese	8582	Urdu
6978	English	7576	Greenlandic	8185	Quechua	8590	Uzbek
6979	Esperanto	7577	Cambodian	8277	Rhaeto-Romance	8673	Vietnamese
6983	Spanish	7578	Kannada	8279	Rumanian	8679	Volapük
6984	Estonian	7579	Korean	8285	Russian	8779	Wolof
6985	Basque	7583	Kashmiri	8365	Sanskrit	8872	Xhosa
7065	Persian	7585	Kurdish	8368	Sindhi	8979	Yoruba
7073	Finnish	7589	Kirghiz	8372	Serbo-Croatian	9072	Chinese
7074	Fiji	7665	Latin	8373	Singhalese	9085	Zulu

Reference

TROUBLESHOOTING

SYMPTOMS AND CORRECTION

Check the following guide for the possible cause of a problem before contacting service.

SYMPTOM	CAUSE	CORRECTION
No power	<ul style="list-style-type: none"> The power cord is disconnected 	<ul style="list-style-type: none"> Plug the power cord into the wall outlet securely.
The power is on, but the DVD player does not work	<ul style="list-style-type: none"> No disc is inserted. 	<ul style="list-style-type: none"> Insert a disc (Check that the DVD or VCD indicator in the T562's display is lit).
No picture	<ul style="list-style-type: none"> The TV is not set to receive DVD signal output. 	<ul style="list-style-type: none"> Select the appropriate video input mode on the TV so that the picture from the DVD player appears on the TV screen.
	<ul style="list-style-type: none"> The video cable is not connected securely. 	<ul style="list-style-type: none"> Connect the video cable into the jacks securely.
	<ul style="list-style-type: none"> The connected TV power is turned off. 	<ul style="list-style-type: none"> Turn on the TV.
No sound	<ul style="list-style-type: none"> The equipment connected with the audio cable is not set to receive DVD signal output. 	<ul style="list-style-type: none"> Select the correct input mode of the audio receiver so you can listen to the sound from the DVD player.
	<ul style="list-style-type: none"> The audio cables are not connected securely. 	<ul style="list-style-type: none"> Connect the audio cable into the jacks securely.
	<ul style="list-style-type: none"> The power of the equipment connected with the audio cable is turned off. 	<ul style="list-style-type: none"> Turn on the equipment connected with the audio cable.
	<ul style="list-style-type: none"> The Audio output settings are incorrect. 	<ul style="list-style-type: none"> Select either Analogue On or Analogue Off depending on your hardware configuration.
The playback picture is poor	<ul style="list-style-type: none"> The disc is dirty. 	<ul style="list-style-type: none"> Clean the disc.
The DVD player does not start playback	<ul style="list-style-type: none"> No disc is inserted. 	<ul style="list-style-type: none"> Insert a disc (Check that the DVD or VCD indicator in the T562's display is lit).
	<ul style="list-style-type: none"> An unplayable disc is inserted. 	<ul style="list-style-type: none"> Insert a playable disc (Check the disc type, color system and Regional code).
	<ul style="list-style-type: none"> The disc is placed upside down. 	<ul style="list-style-type: none"> Place the disc with the playback side down.
	<ul style="list-style-type: none"> The disc is not placed within the guide. 	<ul style="list-style-type: none"> Place the disc on the disc tray correctly inside the guide.
	<ul style="list-style-type: none"> The disc is dirty. 	<ul style="list-style-type: none"> Clean the disc.
	<ul style="list-style-type: none"> A menu is on the TV screen. 	<ul style="list-style-type: none"> Press the SETUP button to turn off the menu screen.
The remote control does not work properly	<ul style="list-style-type: none"> The remote control is not pointed at the remote sensor of the DVD player. 	<ul style="list-style-type: none"> Point the remote control at the remote sensor of the DVD player.
	<ul style="list-style-type: none"> The remote control is too far from the DVD player. 	<ul style="list-style-type: none"> Operate the remote control within about 23 ft (7 m).
	<ul style="list-style-type: none"> There is an obstacle in the path of the remote control and the DVD player. 	<ul style="list-style-type: none"> Remove the obstacle.
	<ul style="list-style-type: none"> The batteries in the remote control are exhausted. 	<ul style="list-style-type: none"> Replace the batteries with new ones.

Video DAC	RGB-10 Bit
Video output	Composite Video S-Video (Y/C) Component Video (Y/Pr/Pb) - US Version Euro SCART with RGB & Composite - Euro Version Progressive scan (NTSC only)
Digital Zoom	x2,x4,x8,x16,x32, Still & Moving Picture
TV Type Setup	PAL / NTSC
Audio DAC	192 KHz/24 Bit
MPEG-2 Multi channel	MPEG-2 Decoder Built in
MP3 Decoder	Digital Output, Stereo on downmix output
Dolby Digital	5.1 Channel support on digital output & 2 Channel downmix analogue
HDCD	5.1 Digital support on digital output & 2 channel analogue
DTS	5.1 Digital support on digital output
Down mix	Left and Right Channel
Digital Audio Output	Coaxial Output Optical Output
Others	Auto switch from PCM to bit stream
Shipping Weight Net	4.6 kg
Shipping Weight Gross	6.0 kg
Unit Dimensions (L x W x H)	435mm x 285mm x 80mm

COPYRIGHT INFORMATION/MACROVISION PRODUCT NOTICE

DIGITAL THEATER SYSTEMS NOTICE

"DTS" and "DTS Digital Surround" are registered trademarks of Digital Theater Systems, Inc.

MACROVISION PRODUCT NOTICE

This product incorporates copyright protection technology that is protected by method claims of certain U.S. patents and other intellectual property rights owned by Macrovision Corporation and other rights owners. Use of this copyright protection technology must be authorized by Macrovision Corporation, and is intended for home and other limited viewing uses only unless otherwise authorized by Macrovision Corporation. Reverse engineering or disassembly is prohibited.

CONSUMERS SHOULD NOTE THAT NOT ALL HIGH DEFINITION TELEVISION SETS ARE FULLY COMPATIBLE WITH THIS PRODUCT AND MAY CAUSE ARTIFACTS TO BE DISPLAYED IN THE PICTURE. IN CASE OF T562 PROGRESSIVE SCAN PICTURE PROBLEMS, IT IS RECOMMENDED THAT THE USER SWITCH THE CONNECTION TO THE STANDARD DEFINITION INTERLACE OUTPUT. IF THERE ARE QUESTIONS REGARDING YOUR TV SET COMPATIBILITY WITH THIS PRODUCT MODEL T562 DVD PLAYER, PLEASE CONTACT NAD ELECTRONICS INTERNATIONAL CUSTOMER SERVICE, +1 905 831 0799.

It is forbidden by law to copy, broadcast, show, broadcast on cable, play in public, and rent copyrighted material without permission. DVD videodiscs are copy protected, and any recordings made from these discs will be distorted. This product incorporates copyright protection technology that is protected by method claims of certain U.S. patents and other intellectual property rights owned by Macrovision Corporation and other rights owners. Use of this copyright protection technology must be authorized by Macrovision Corporation, and is intended for home and other limited viewing uses only, unless otherwise authorized by Macrovision Corporation. Reverse engineering or disassembly is prohibited.

DOLBY LABORATORIES NOTICE

This product is manufactured under license from Dolby Laboratories. Dolby, Pro Logic, and the double-D symbol are trademarks of Dolby Laboratories. Confidential Unpublished works. Copyright 1992-1997 Dolby Laboratories. All rights reserved.



www.NADelectronics.com

**©2002 NAD ELECTRONICS INTERNATIONAL
A DIVISION OF LENBROOK INDUSTRIES LIMITED**

All rights reserved. No part of this publication may be reproduced, stored or transmitted in any form without the written permission of NAD Electronics International

T562 Manual 06/02